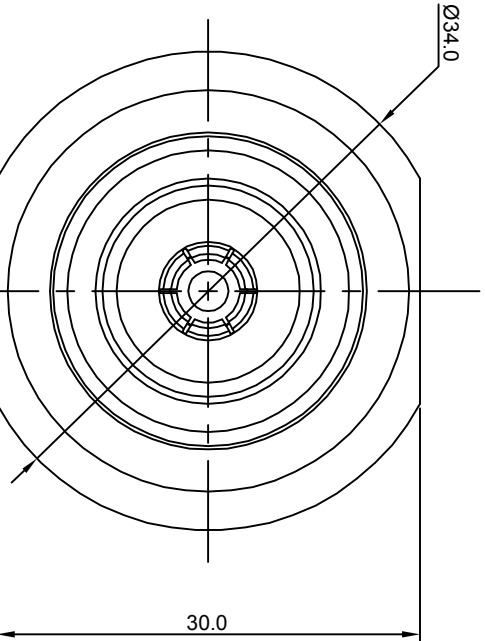
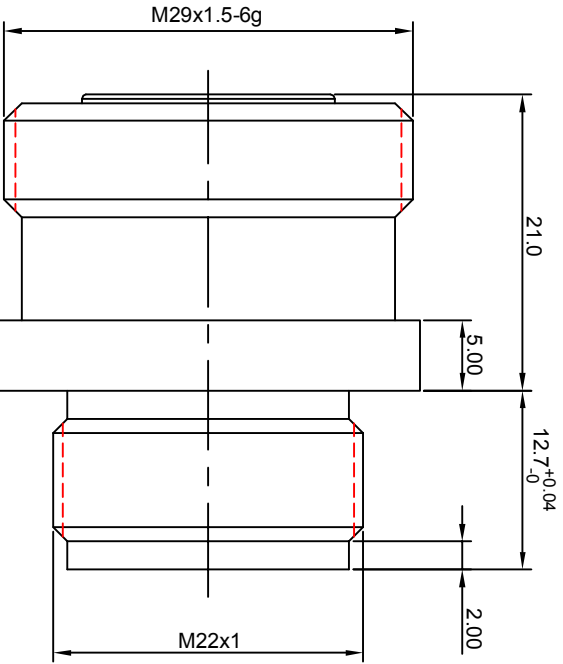


- NOTES: (UNLESS OTHERWISE SPECIFIED)**
1. INTERFACE COMPLY WITH IEC 169-4.
 2. PART MUST BE PACKAGED TO AVOID ANY DAMAGES DURING TRANSPORTATION.



1.6

REV.	DESCRIPTION	APPROVED	DATE	ECN

MATERIAL SEE BOM		TOLERANCES		THIRD ANGLE PROJECTION		TITLE	
FINISH SEE BOM		Optical X ±1 1place X ±0.1 2place .XX ±0.05 Angle ±5°					
Plating part to be touched by gloves		Remove burrs and sharp edges		GENERAL ECCENTRICITY <input checked="" type="checkbox"/> 0.06		7/16, JACK, bulkhead	
Dimension apply before plating				DRAWN BY Joy Zhou		DWG NO. 6078.716.JSB.00.230	
XXX - measuring point for plating				CHECKED BY		SCALE 2:1	
SURFACE		APPROVED BY		DATE 29Sep07		DO NOT SCALE DRAWING	
VOLUME		NAME		DATE		SIZE A4	
						SHEET 1 of 1	
						REV. S1	

1 2 3 4 5 6

D C B A