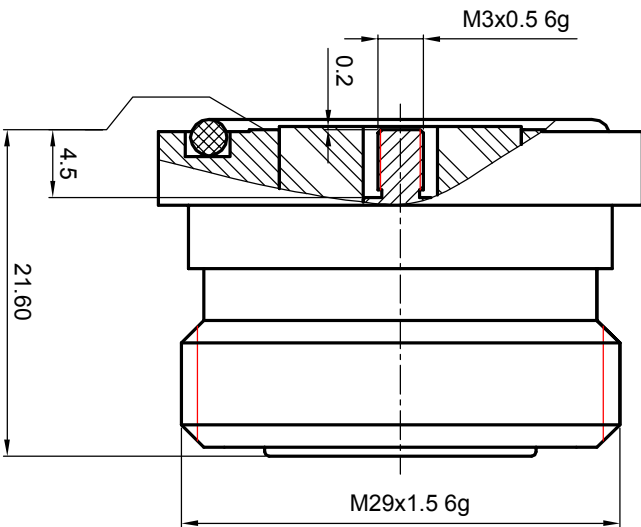
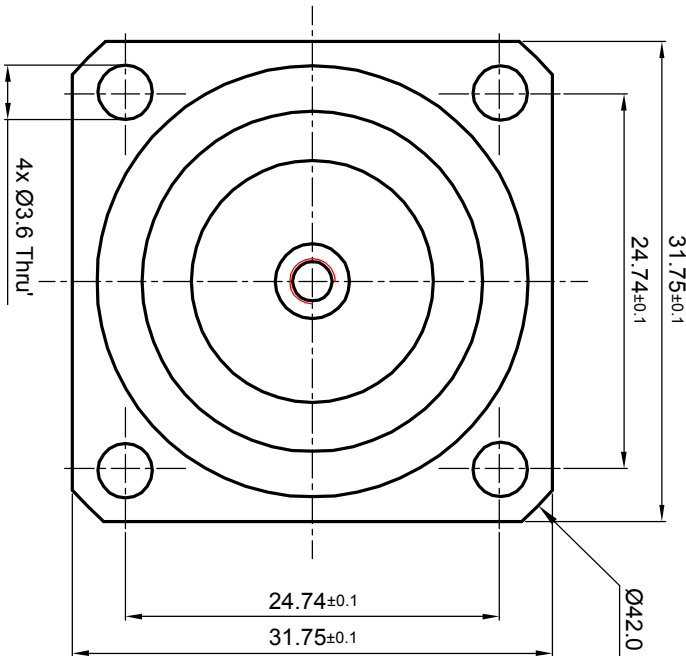


**NOTES: (UNLESS OTHERWISE SPECIFIED)**

1. Interface according to IEC 169-4
2. With a protective cap.
3. Part must be packaged to avoid any damages during transportation.



REV.	DESCRIPTION	APPROVED	DATE	ECN

MATERIAL <b>SEE BOM</b>		TOLERANCES		THIRD ANGLE PROJECTION		TITLE	
FINISH <b>SEE BOM</b>		Opface X ±1 1place .X ±0.1 2place .XX ±0.05 Angle ±5°		GENERAL ECCENTRICITY <input checked="" type="checkbox"/> Z1006		<b>Zee-teq</b> 7/16, JACK, FLANGE	
Remove burrs and sharp edges 		NOTICE: Those drawings and specifications are the property of ZEE-TEQ CORPORATION and used only for the specify purpose authorised by ZEE-TEQ		DRAWN BY Colin 13Dec07		DWG NO. 6112.716.JSF.00.220	
Plating part to be touched by gloves Dimension apply before plating XXX - measuring point for plating		APPROVED BY		NAME DATE		SCALE 2:1	
SURFACE		VOLUME				DO NOT SCALE DRAWING	
						SIZE A4	
						SHEET 1 of 1	
						REV. S1	