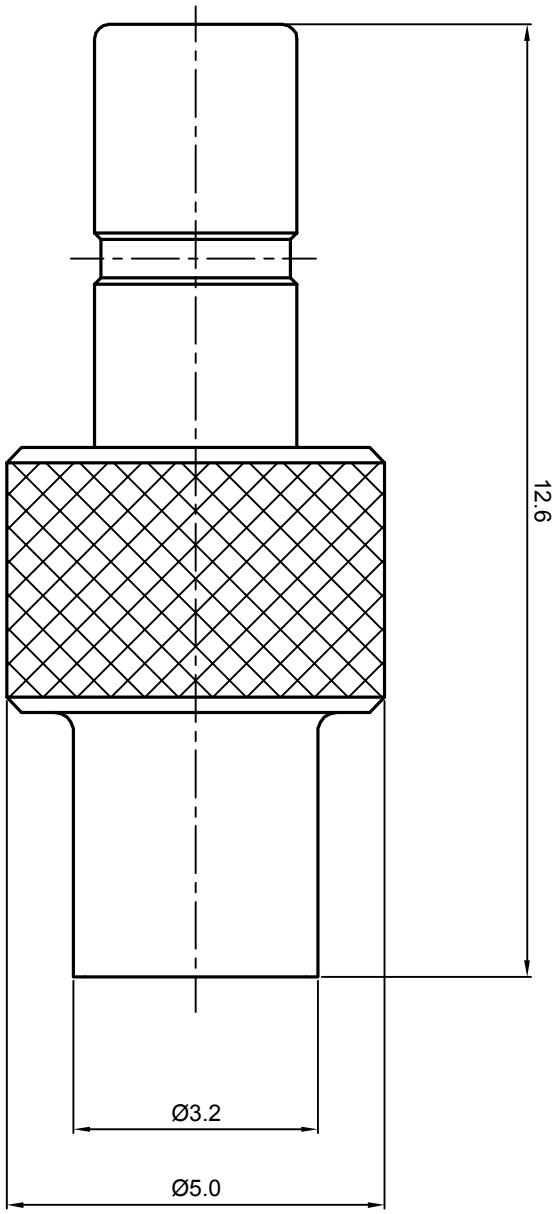
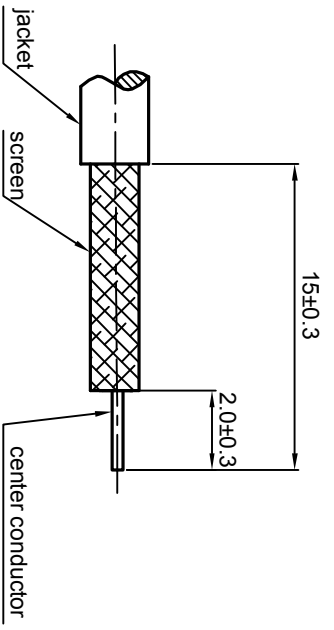


NOTES: (UNLESS OTHERWISE SPECIFIED)

1. The interface comply with IEC169-10.
2. Part must be packaged to avoid any damages during transportation.



RECOMMENDED CABLE STRIPPING DIMENSIONS



REV.	DESCRIPTION	APPROVED	DATE	ECN

MATERIAL		SEE BOM FOR DETAILS		TOLERANCES		THIRD ANGLE PROJECTION		TITLE	
SEE BOM FOR DETAILS		SEE BOM FOR DETAILS		Opface X ±1 1place X ±0.1 2place .XX ±0.05 Angle ±5°				Zee-teq SSMB, PLUG, CABLE	
FINISH		SEE BOM FOR DETAILS		Remove burrs and sharp edges		GENERAL ECCENTRICITY		DWG NO.	
Plating part to be touched by gloves		SEE BOM FOR DETAILS				<input checked="" type="checkbox"/> 0.06		5326.SSMB.PSC.02.110	
Dimension apply before plating		SEE BOM FOR DETAILS		-0.2 +0.2		DRAWN BY		DATE	
XXX - measuring point for plating		SEE BOM FOR DETAILS		-0.2 +0.2		Collin		04Sep08	
SURFACE		VOLUME		NOTICE: Those drawings and specifications are the property of ZEE-TEQ CORPORATION and used only for the specify purpose authorised by ZEE-TEQ		CHECKED BY		APPROVED BY	
SCALE		DO NOT SCALE DRAWING		SIZE		SHEET		REV.	
10:1				A4		1 of 1		S1	

